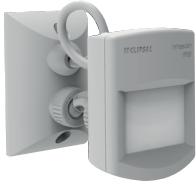


750WPR5 Series



750WPR5



en INFRASCAN Outdoor Sensor

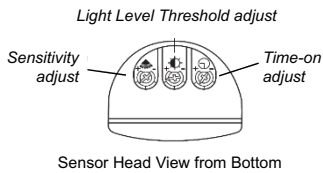
Package Contents

- 750WPR5 - Infrascan Outdoor Sensor
- 750GASKET5 - Mounting gasket

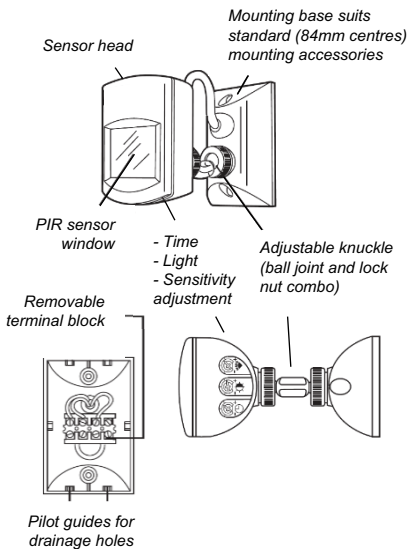
About the Product

The Infrascan detects a moving infrared source moving within its field of view. The user can adjust Infrascan operation in three ways:

- Light-Level - Set the ambient light level at which the load is switched On when movement is detected.
- Time-On - Set the time that the load remains On after movement is detected.
- Sensitivity - Set the range over which movement can be detected.



Identification of Parts



Note:

- The sensor head is specially designed to prevent water or dust from entering. Under no circumstances should it be tampered with.
- Do not apply any pressure on the actual sensor lens itself, as this may damage the lens, and affect the performance.
- Pilot guides may be drilled out to provide drainage when mounting on porous or uneven surfaces (e.g. brick). Drill out holes only if required, and only on bottom as mounted.

For your Safety

⚠ DANGER

HAZARD OF ELECTRIC SHOCK

- This product must be installed and serviced by appropriately qualified and/or licenced electrical personnel.
- Isolate the electrical supply before doing any work on this product.
- Ensure that the product has been correctly installed and checked for safe operation before reconnecting the electrical supply.
- To comply with all safety standards, the product must be used only for the purpose described in this instruction and must be installed in accordance with the wiring rules and regulation in the location where it is installed.

Failure to follow these instructions will result in death or serious injury.

⚠ CAUTION

RISK OF BURN INJURIES

During and after use, the product may be hot. Do not touch the product before it has completely cooled down.

Failure to follow these instructions can result in minor injuries, or equipment damage.

Installation Requirements

- Check whether the product has been damaged during transport. Do not operate/install any product which appears damaged in any way. Return the complete unit to place of purchase for inspection, repair or replacement.
- Take care not to pull any electrical wires during unpacking as this may damage the connection.
- Isolate the electrical supply before commencing any installation.
- There are no user serviceable parts inside the product.

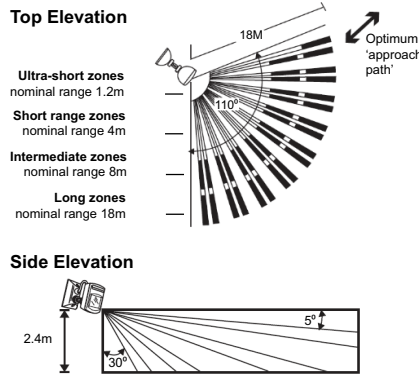
Installation Location

Position the Infrascan correctly for effective operation. Mount the sensor head vertically at 2.4 m height and so that the approach path is crossing the sensor face.

Note:

- Do not mount the Infrascan close to objects which can create rapid temperature changes e.g. air conditioning vents, heater flues, moving water i.e. fountains and sprinklers. Avoid locations where condensation is likely to form on the lens.
- Do not mount the Infrascan on any surface that is subject to movement due to wind or other causes.
- In all cases, locate the Infrascan so that the 'approach path' is across the 'field of view' and not directly towards the Infrascan.

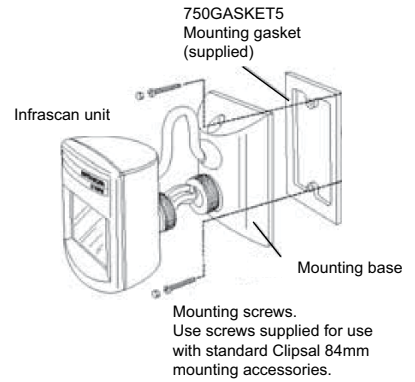
Field of View (at maximum sensitivity)



Note: There may be noticeable differences in range due to differing conditions (background temperature, speed of movement, types of clothing worn, etc).

Mounting Procedure

Electrical connections are made via a removable terminal block.



Note:

- The Infrascan sensor head is sealed to protect against water ingress. However, care must be taken during installation to ensure that water does not enter the mounting base.
- Ensure adjustment trimpots are at the bottom when mounted.
- To ensure a good seal against the mounting surface, it is recommended to use the gasket supplied. Make sure that the mounting base is firmly screwed down and that the gasket is sandwiched between the base and the wall.
- When mounting on porous or uneven surfaces (such as brick), it may be difficult to achieve a good seal. In this case the installer may use a silicone or waterproof sealant to effectively seal the base.
- Otherwise, it is recommended to drill out the pilot holes provided to allow any water that may enter the unit to drain out. Only drill out the drainage holes on the bottom of the base, as installed (let water drain out, not in).
- When mounting on a conductive surface (such as Steel framework), it is required to earth the conductive surface, or else isolate the terminals from that surface in order to comply with local wiring rules (AS/NZS3000 Australia and New Zealand). Using a Clipsal Cat. No 238 for mounting can help meet this requirement.

Knuckle Adjustments

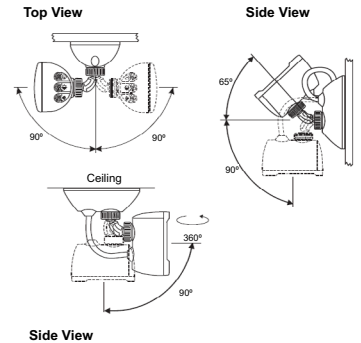
The Infrascan can be mounted on a vertical or horizontal surface. The unique knuckle adjustment design incorporates the use of ball joints at each pivot point, enabling the sensor head to be located in almost any position.

Wall Mount

The sensor head, in the horizontal plane, can be positioned ±90 degrees from the centre. In the vertical plane, the sensor head can be rotated upwards 65 degrees and downwards 90 degrees.

Ceiling Mount

The sensor head, in the horizontal plane, can rotate 360 degrees. In the vertical plane, the sensor head can rotate downwards 90 degrees.

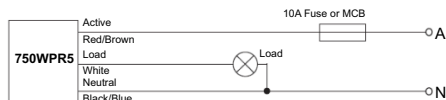


Note:

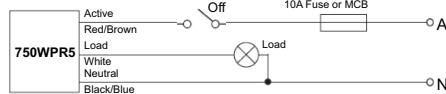
The curve in the knuckle assembly must follow the direction in which the sensor head is to be directed. Do not try to force the sensor head at any time check that the knuckle is correctly aligned.

Wiring Diagrams

Automatic Operation



Automatic Operation with manual ON/OFF override

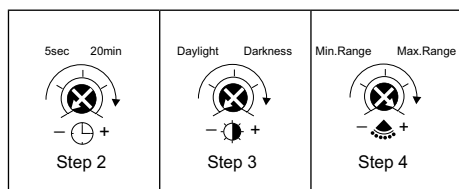


Commissioning

When setting the 'Time-On' or 'Light-Level' or 'Sensitivity' adjustments keep clear of the 'field of view' when assessing the effect of the adjustment.

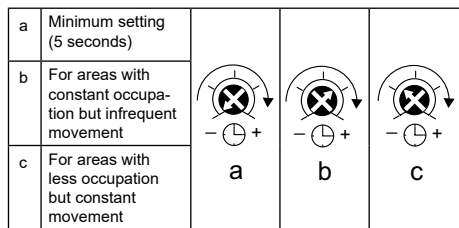
Set Up for Walk Test

1. Connect mains power and allow at least 30 seconds for the unit to stabilize.
2. Set the 'Time-On' adjustment fully anti-clockwise (5 second timer set).
3. Set the 'Light-Level' sensor adjustment fully anti-clockwise (to respond in light or dark conditions).
4. Set 'Sensitivity' adjustment fully clockwise (maximum range set).
5. Remove card from the sensor head and confirm that the load turns on. Replace card and confirm load turns off after approximately 5 seconds.
6. Loosen the clamp nuts, aim the sensor head towards the desired 'field of view'. Tighten clamp nuts and remove card.
7. Walk slowly around the area in the desired 'field of view' to confirm the load is activated. Check that the unit responds appropriately when entering the area and that the unit does not trigger unnecessarily. If necessary, re-aim the sensor head.
8. Set the 'Sensitivity' as desired for required range for normal operation.
9. Set the 'Light-Level' as desired for activation at dusk for normal operation.
10. Set the 'Time-On' interval to the desired time for normal operation.



Time-On Adjustment

Adjustment Range: 5 seconds to 20 minutes.
Rotate clockwise to set required time-out period.



WARNING

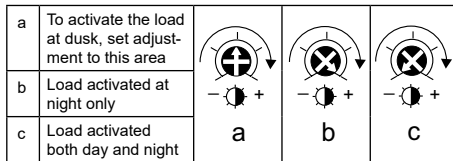
EQUIPMENT DAMAGE

Take care not to scratch/damage the translucent window on the front of the Infracan as it forms part of the optical detection system. For continued optimum performance ensure that the window is cleaned periodically with mild soap, water and soft cloth.

Failure to follow these instructions can result in equipment damage.

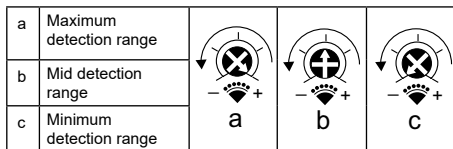
Light-Level Adjustment

Adjustment Range: 1 lux to full sunlight.
Rotate clockwise to avoid having load activated when natural light is adequate.



Sensitivity Adjustment

Adjustment Range: 20% - 100% full range.
Rotate anti-clockwise to set required detection range.



MANUAL OVERRIDE FUNCTION

While the product is designed to switch a light on for a user defined period of time, the 750WPR5 can also be put into two different manual override modes. After these modes have timed-out the sensor will return to its original automatic sensor mode.

Mode 1 – Sensor runs for the period of time that the 'Time-ON adjustment' trimpot is set for

1. Ensure the Sensor is in Automatic Operation mode.
2. Turn the wall switch controlling the sensor OFF-ON within 2 seconds.
3. The load will stay on for the duration that the Time-ON adjustment trimpot is set for.
4. After Time-ON is expired from last detection, Sensor will now return to automatic operation mode.

Mode 2 - Sensor turns load on for 8 hour

1. Ensure the Sensor is in Automatic Operation mode.
2. Turn the wall switch controlling the sensor OFF-ON-OFF-ON within 2 seconds.
3. Sensor is now in 8-hour override mode.
4. After this period times out, the sensor will return to automatic operation mode.

To cancel manual override mode prior to 8 hours expiring, turn the wall switch OFF-ON within 2 seconds.

Note: If the sensor is turned off for greater than 3 seconds it will go into its warm-up procedure.

Troubleshooting

Problem	Possible Cause	Possible Action
Light turns on for no apparent reason	Momentary power failure	None, unit will reset after 'Time-Out'
	Unseen target	Check for animals e.g. dogs/cats etc
	Extreme draughts of hot and cold air	Check doors, windows or air conditioning outlets
Light turns on during daylight	Trees/bushes moving in the wind	Re-aim sensor head
	Vehicular or pedestrian traffic on edge of field view	Re-aim sensor head
Light do not turn on in dim and dark conditions	Wrong setting on 'Light Level Adjustment'	Reset as per 'Commissioning' Instructions
	Light not working	Replace light
Light remains permanently on	Manual override switch fitted and is activated	Reset as per 'Manual Override Function' set-up
	Moving infrared source being detected. Note: Do not mount too close to objects which can change temperature rapidly like air conditioner vents, heater flues, moving water such as fountains and sprinklers	Remove unwanted infrared source. If unable to resolve, blank off viewing window. Light should turn off after 'Time-Out'. If light remains on, call installer

Technical Specifications

Operating Voltage	220-240V a.c. @ 50Hz
Maximum Load Current	10A
Minimum Load (Watts)	0W
Maximum Off-State Leakage Current	0mA
Stand-By Power Consumption	< 1W
Conductors Required	3 Wire
Neutral Required	Yes
Operating Temperature Range	0 - 50°C
Warm-Up Time	30 seconds
Rated Detection Field at Maximum Sensitivity *	18m radius x 110°
Optimal Mounting Height for Rated Detection Field	2.4m with Sensor head vertically orientated
Timer Delay Range	5 sec – 20 min
Light Level Inhibit Threshold	Continuous from 1 lux to full sunlight, user adjustable
Mounting Surface	Wall or Ceiling mount (flay surface required)
Mounting Centres	84mm
International Protection Rating **	IP66
Cables Accommodated	4 terminals, up to 2 x 2.5mm ² cable per terminal
Compatible Load types	LED 300W Fluorescent 2400 VA Incandescent 2400 W

Specifications Typical @ 240V a.c., 25°C

* The range specifications given are based on a 90kg person travelling at greater than one metre per second across the field of view, where there is a temperature differential greater than five degrees Celsius between the person and the background. Objects that are hotter or moving faster (e.g. motor vehicle on nearby roadway) may be detected at greater distances. A person covered in heavy clothing or walking directly towards the sensor may not be detected until they get much closer to the unit.

*** The IP66 Protection Rating specified for this product is dependent on the installer to provide an adequate seal against the mounting surface using the gasket provided.

Customer Care

Warranty information (Australia)

We warrant this product for 5 years—visit

<https://www.schneider-electric.com.au/en/aboutus/legal/terms-and-conditions.jsp>

Our goods also come with guarantees that cannot be excluded under the Australian Consumer Law. You are entitled to a replacement or refund for a major failure and compensation for any other reasonably foreseeable loss or damage. You are also entitled to have the goods repaired or replaced if the goods fail to be of acceptable quality and the failure does not amount to a major failure.

Warranty information (New Zealand)

We warrant this product for 5 years—visit

<https://www.schneider-electric.com.nz/en/aboutus/legal/terms-and-conditions.jsp>

Schneider Electric (Australia) Pty Ltd

Customer Care: 13 73 28

33-37 Port Wakefield Road, Gepps Cross SA 5094

Email: customer-care.au@schneider-electric.com

www.schneider-electric.com.au

Schneider Electric (NZ) Ltd

Customer Care: 0800 652 999

Building 6, 60 Highbrook Drive, East Tamaki, 2013, New Zealand

Email: sales@nz.schneider-electric.com

www.schneider-electric.com

Schneider Electric reserves the right to change specifications, modify designs and discontinue items without incurring obligation and whilst every effort is made to ensure that descriptions, specifications and other information in this instruction is correct, no warranty is given in respect thereof and the company shall not be liable for any error therein.

© Schneider Electric 2021

This material is copyright under Australian, New Zealand and international laws. Except as permitted under the relevant law, no part of this work may be reproduced by any process without prior written permission of and acknowledgement to Schneider Electric.